

4. Connect the Color Changers to the Power Supply

Connect the Color Changers to the Power Supply using 4-pin Coloram power/signal cable. The connectors are on the back or bottom of the Color Changers and on the front of the Power Supply.

Note: The total amount of cable from each Color Changer to a single Power Supply output added together is called "head feet". Refer to Specifications to find the maximum amount of "head feet" for each model when calculating cable runs. If a daisy chain consists of different models, use the model with the least amount of "head feet" for the calculation.

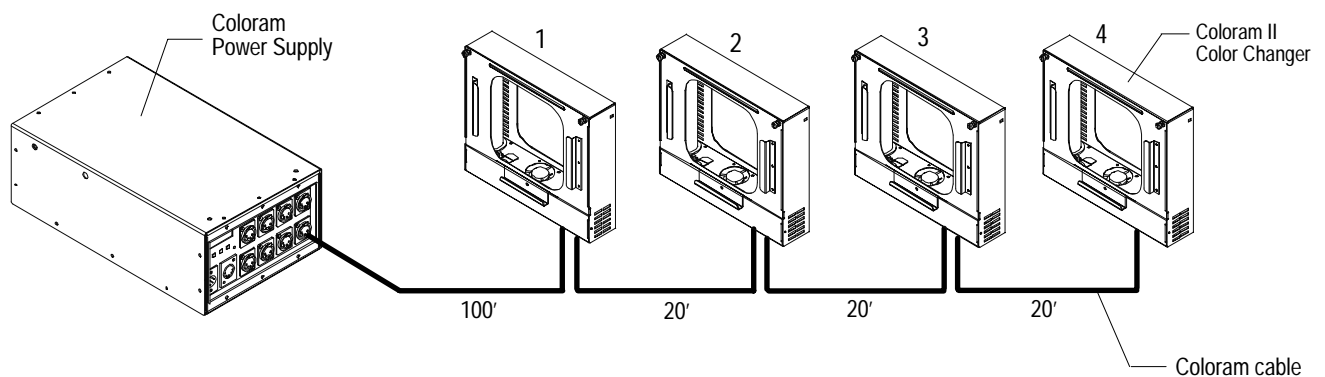


Figure 8

The amount of cable from the Power Supply to:	1st Coloram	100'
	2nd Coloram	120'
	3rd Coloram	140'
	4th Coloram	<u>160'</u>
		520 "head feet"